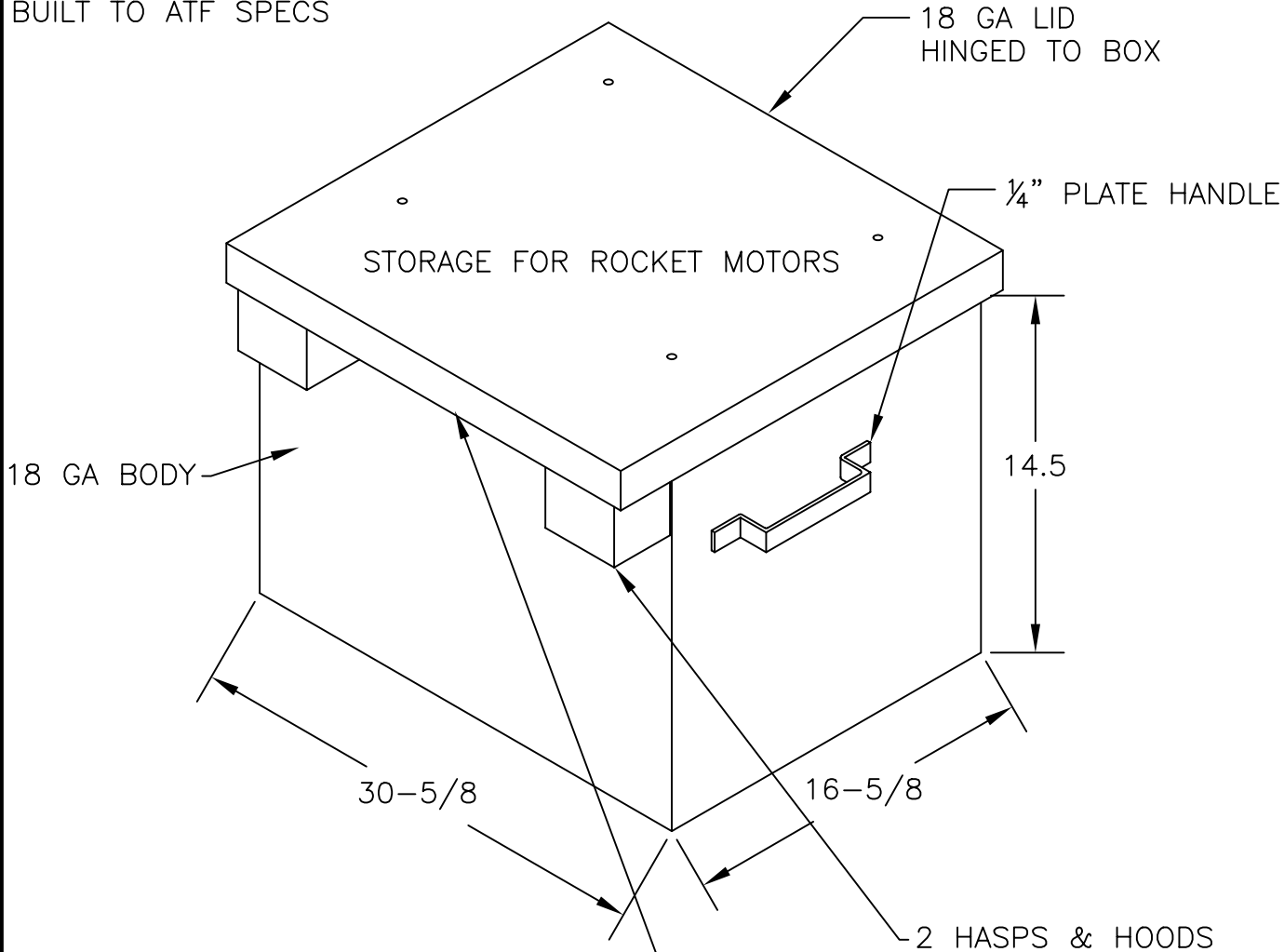


ML802-TYPE 4 (WITH 2 HASPS & 2 HOODS)

INTERIOR LINED WITH 1/2" PLYWOOD
BUILT TO ATF SPECS



INSTALL 2X2 ANGLE TO FRONT OF BOX,
BETWEEN THE HASP COVERS

GENERAL NOTES:

- 1- ALL MATERIAL AND WORKMANSHIP SHALL CONFORM WITH THE REQUIREMENTS OF THE LATEST REVISION OF THE UBC 1997. DESIGN ACCORDING TO AISC, ASD, AND WITH ANSI/ ASCE 7-95.
 - 2- NO LOADS OTHER THAN THOSE GIVEN UNDER "DESIGN DATA" BELOW SHALL BE IMPOSED ON THE "STRUCTURE."
- DESIGN DATA (MATERIALS)
STRUCTURAL QUALITY ASTM SPECIFICATION, A36 ER70S
WELDING WIRE.
DESIGN DATA IN ACCORDANCE WITH ANSI/ ASCE 7-95:

ALL DIMENSIONS SHOWN ON THIS PRINT ARE FOR YOUR REFERENCE. TOLERANCES ARE ±1" UNLESS OTHERWISE NOTED.

DATE: 8/10/05

DRAWN BY: KB

APPROVAL PRINT

THIS PRINT IS CONFIRMATION OF YOUR ORDER AND ILLUSTRATES THE APPROXIMATE LOCATION OF FACTORY INSTALLED OPTIONS.

CUSTOMER APPROVAL IS REQUIRED BEFORE MANUFACTURING CAN BEGIN.

ANY CHANGES MADE AFTER CUSTOMER APPROVAL MAY INCUR EXTRA CHARGES AND DELAY ESTIMATED DELIVERY.

SIGNATURE

PLEASE PRINT NAME

DATE

LEGAL NOTE

THIS DRAWING IS THE PROPERTY OF U.S. CHEMICAL STORAGE, LLC. ANY DUPLICATION OF THIS DRAWING IN WHOLE OR IN PART IS STRICTLY FORBIDDEN. ANYONE DOING SO WILL BE PROSECUTED UNDER THE FULL EXTENT OF THE LAW.



**U.S. EXPLOSIVE
storage**

MANUFACTURING FACILITY

1806 River Road, Hwy 268 W.
Wilkesboro, NC 28697
PHONE: 1.888.583.9823
FAX: 1.336.838.0045